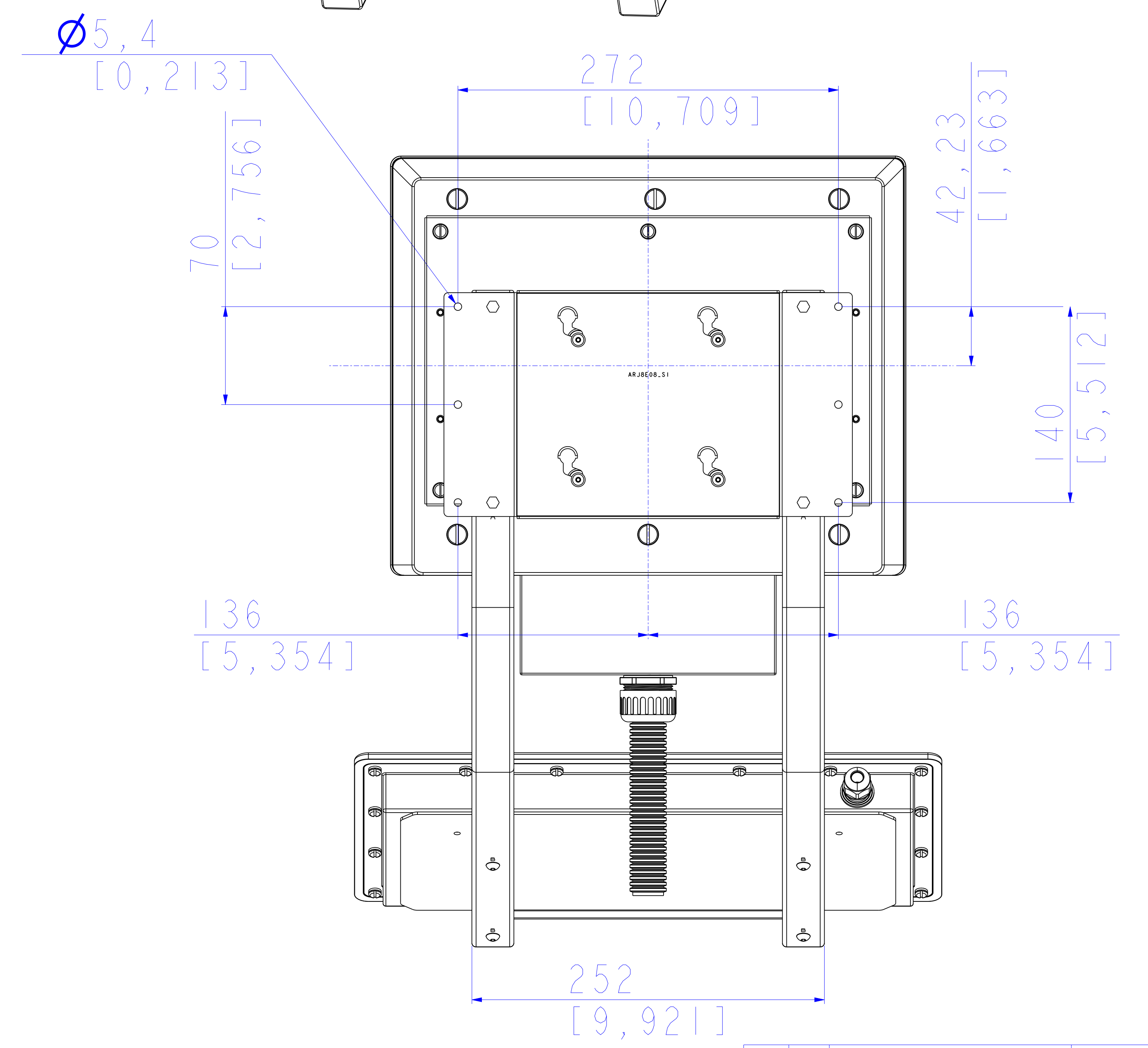
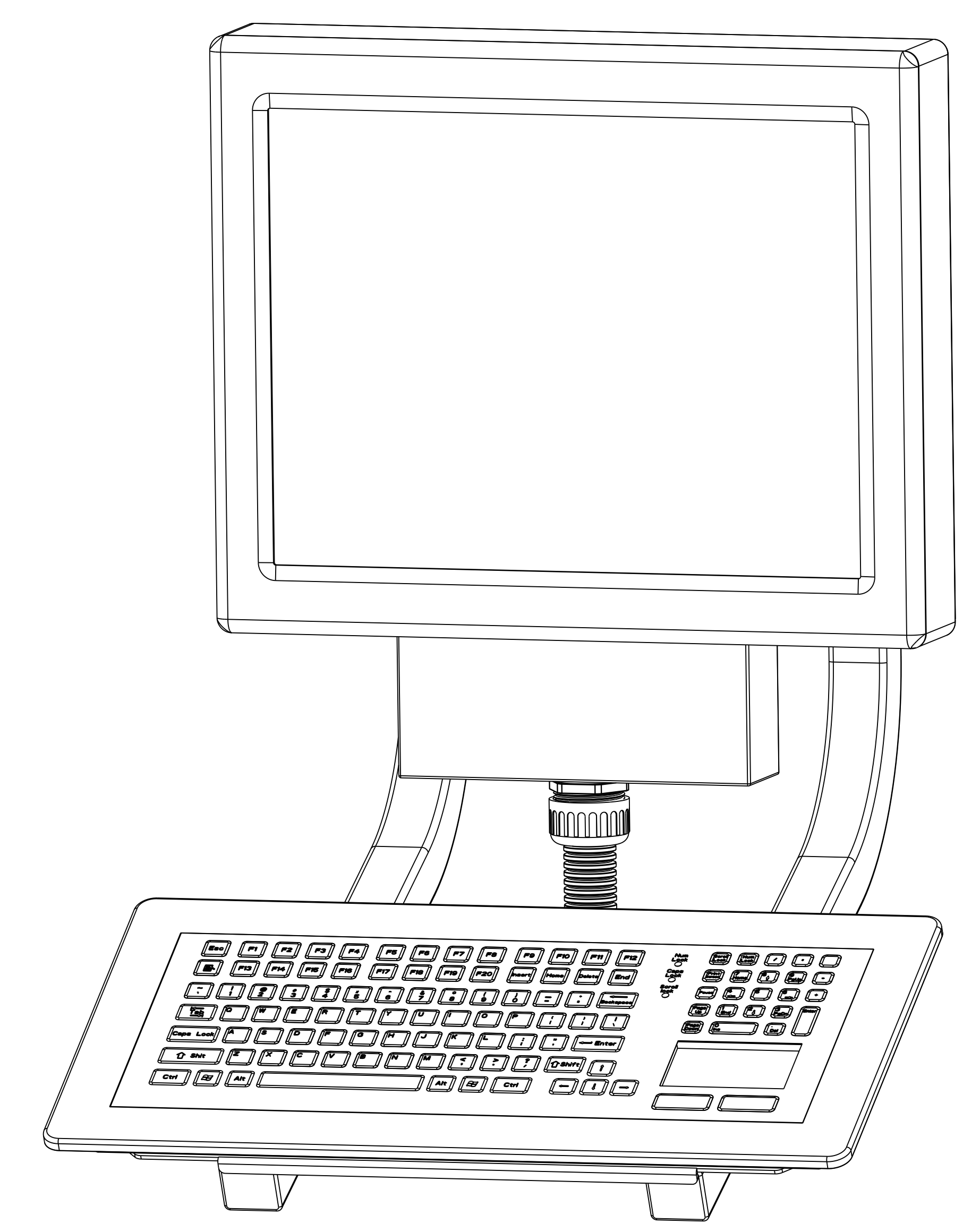
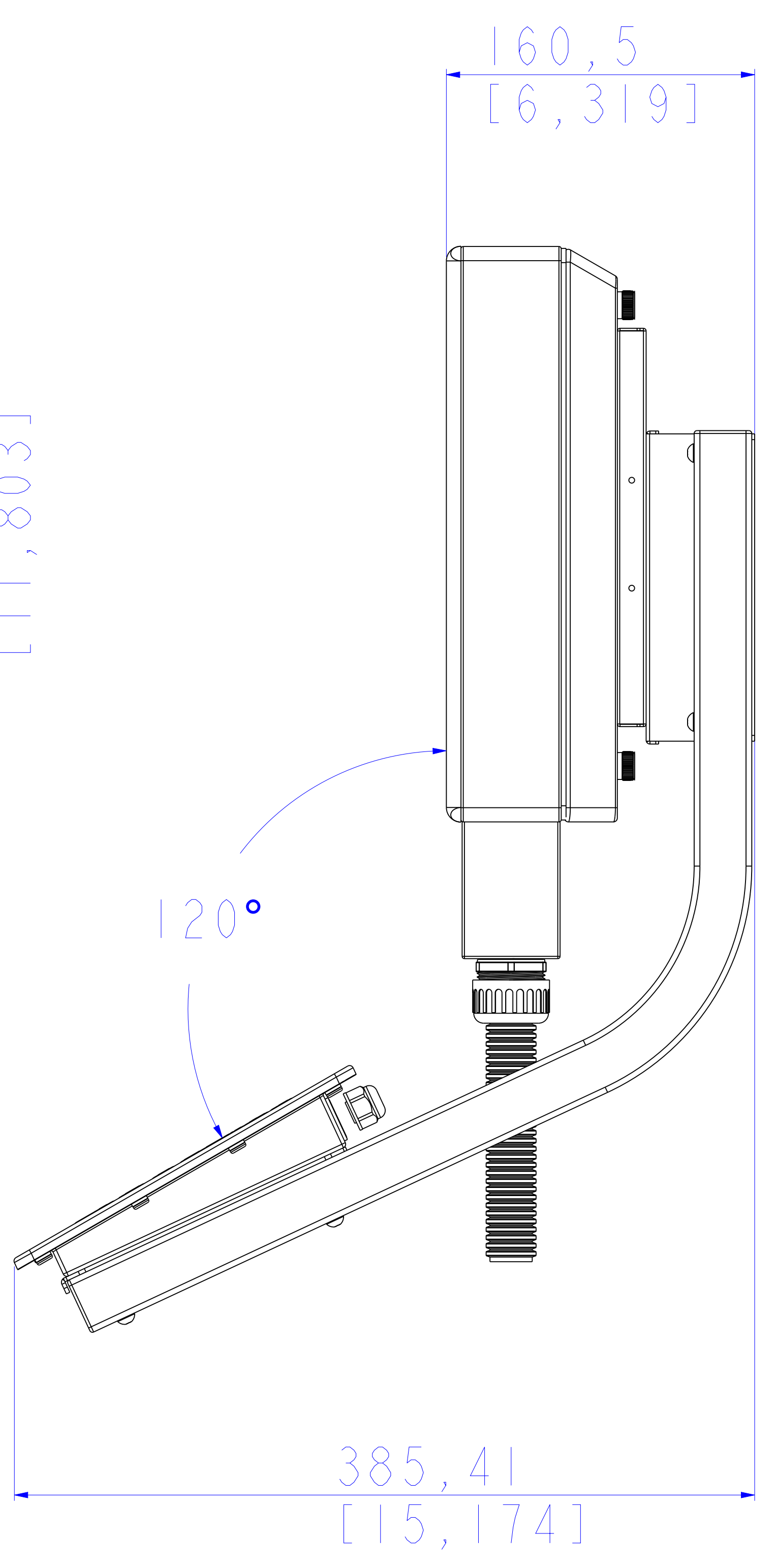
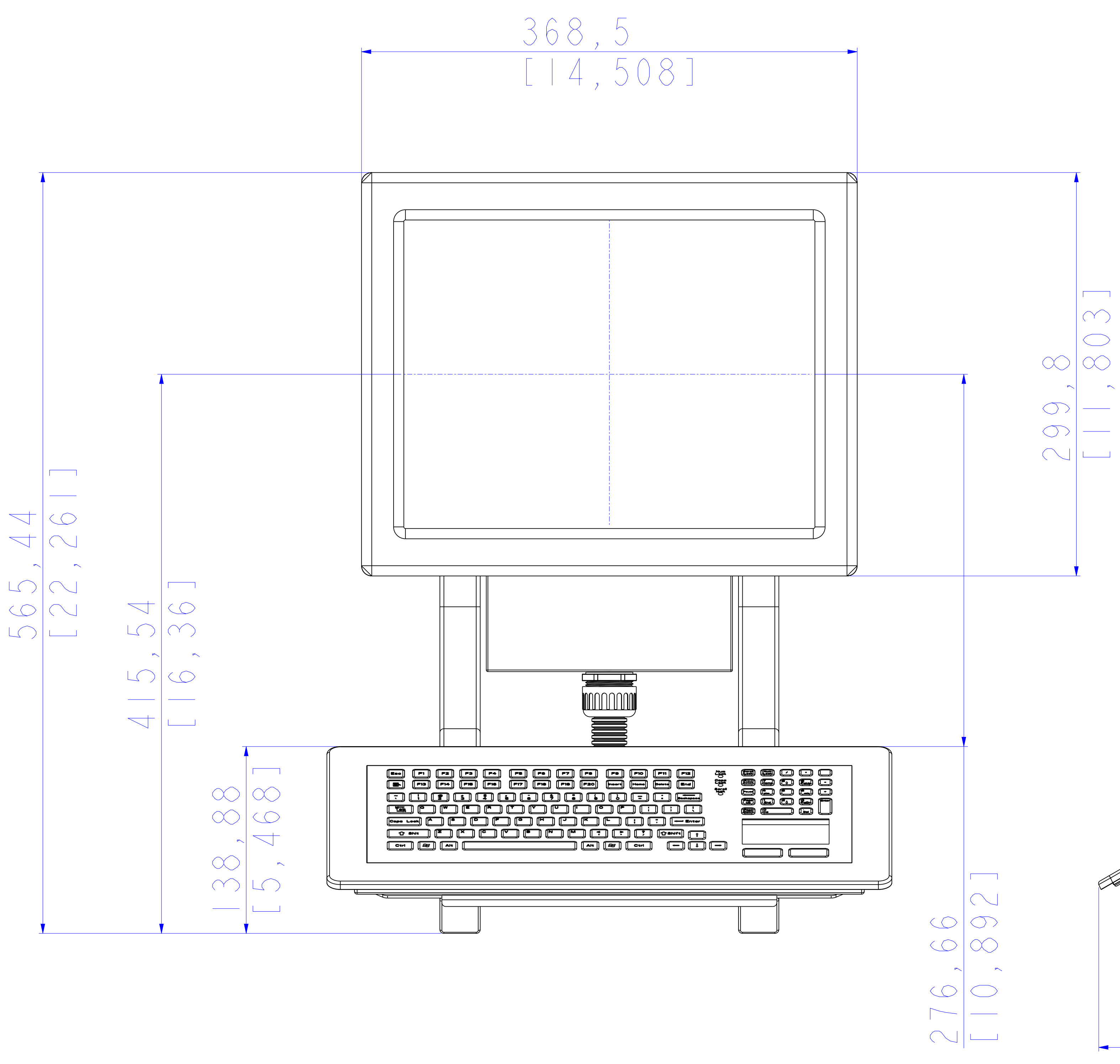
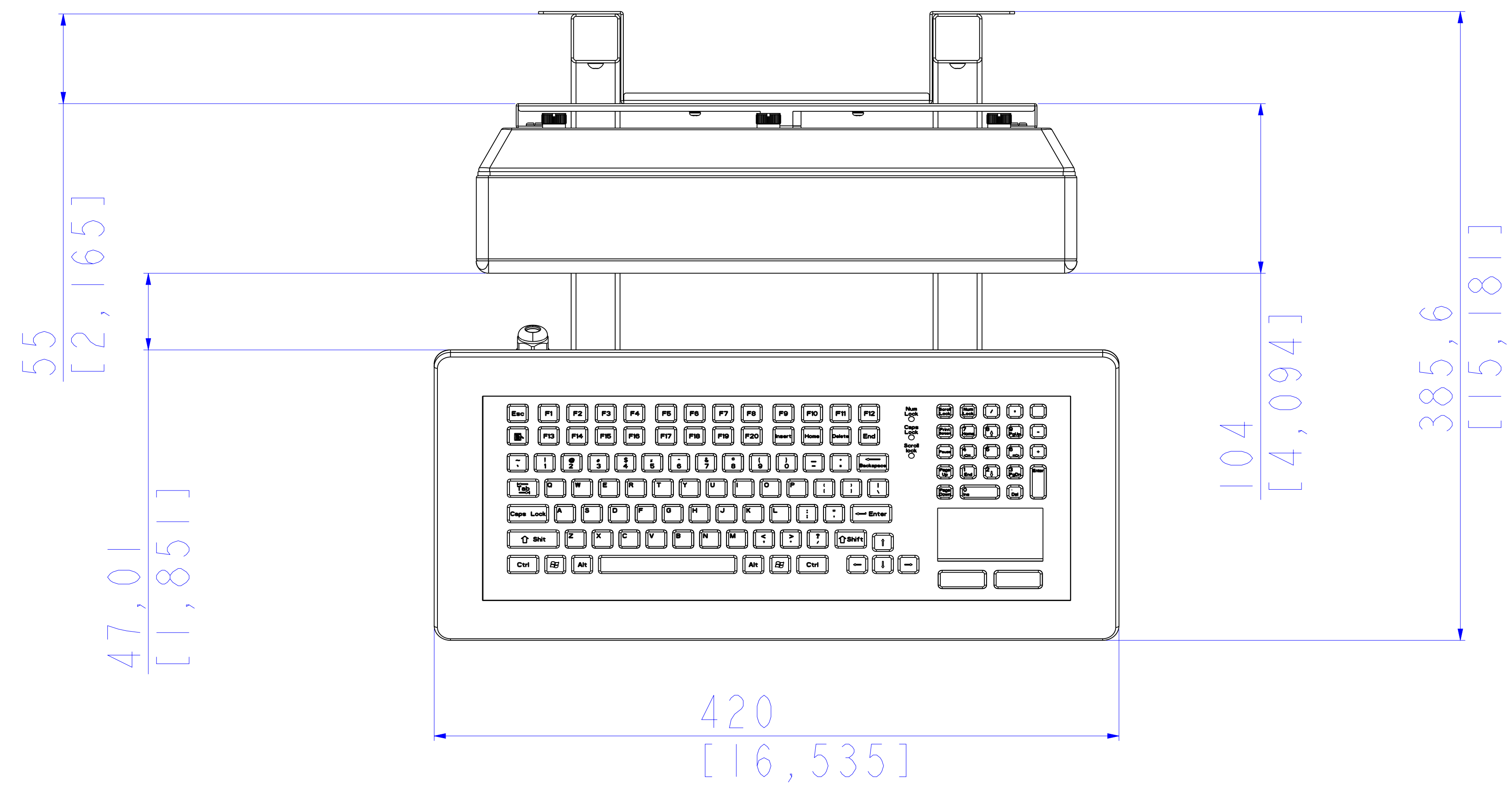


ITEM NO:

| ITEM QTY | | DESCRIPTION | P/N |
|----------|--|-------------|-----|
| | | | |



ALL DIMENSIONS IN MILLIMETRES
THIRD ANGLE PROJECTION

The information disclosed on this document is the exclusive property of ARISTA CORPORATION. Reproduction, disclosure, or the use of this document or information without the written permission of ARISTA CORPORATION is prohibited.

| TOLERANCES | B | C |
|------------|-------|-------|
| 0-30mm | ±0.1 | ±0.25 |
| 30-120mm | ±0.15 | ±0.46 |
| 120-315mm | ±0.2 | ±0.6 |
| >315mm | ±0.3 | ±1.1 |

| | | | |
|---------|--------|------|------------|
| DESIGN | YOYO | DATE | 2001-12-01 |
| CHECKED | JUSTIN | DATE | 2001-12-01 |

| | | | | |
|------|-----|-------------|------|----------|
| ZONE | REV | DESCRIPTION | DATE | APPROVED |
| | | | | |

| | | | |
|-----------------|-----|------------------------------------|----------|
| TITLE | | ARISTA CORPORATION | |
| AMA-5515AX-SIZE | | 41300 Bayce Rd., Fremont, CA 94538 | |
| SIZE | A0 | FSCM NO. | DWG NO. |
| SCALE | 0.5 | INVT. NO. | SHEET OF |